

NOTE: Jenco Instruments, Inc reserves the right to make improvements in design, construction, and appearance of our products without notice.

JENCO INSTRUMENTS, INC.

7968 Arjons Drive, Suite C, San Diego, CA 92126 USA

TEL: 001-858-5782828 FAX: 001-858-5782886

E-MAIL: sales@jencoi.com

Web site: www.jencoi.com

JENCO ELECTRONICS, LTD.

PO. BOX LINKOU 117, TAIPEI, TAIWAN

TEL: (886-2)2601-6191 FAX: (886-2)2601-7206

E-MAIL: jencoe@ms2.hinet.net

SHANGHAI JENCO ELECTRONICS, LTD.

18 Wang Dong Zhong Road, Sijing Town, Songjiang, SHANGHAI, CHINA

TEL: (86-021)5761-9599 FAX: (86-021)5761-9598

E-MAIL: jencos@jenco.com.cn

Web site: www.jenco.com.cn

**OPERATION PROCEDURES FOR THE MODEL
768
PANEL THERMOMETER**

**JENCO ELECTRONICS, LTD.
MANUFACTURER OF PRECISION INSTRUMENTS**

GENERAL INTRODUCTION

The model 768 digital indicating panel thermometer is a high performance, industrial grade readout for type K or J thermocouple sensors. Cold junction is automatically compensated by internal electronics circuit.

The over all temperature range for model 768 is from -40 to 1200°C / -40 to 1990 °F. The temperature range and accuracy varies for different thermocouple calibration.

A non-linearized compensated 1mV per degree C or F is provided to interface With other instruments with analog input such as recorder,printer,etc.

TEMPERATURE RANGE OF THE MODEL 768

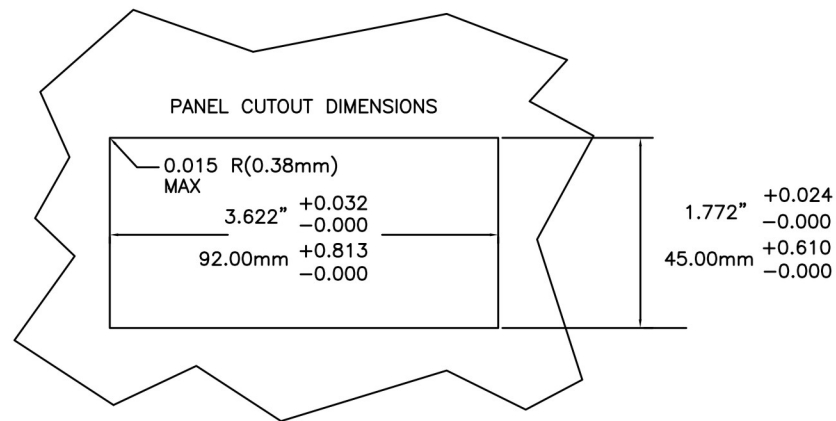
Model	Range	Resolution	Accuracy
768KC-01	-40 to +40°C	1°C	+/-0.2% RDG +/-1 °C
768KC-02	-20 to 390°C	1°C	+/-0.2% RDG +/-1 °C
768KC-03	250 to 850°C	1°C	+/-0.2% RDG +/-1 °C
768KC-04	800 to 1200°C	1°C	+/-0.2% RDG +/-1 °C
768KF-01	-40 to 104°F	1°F	+/-0.2% RDG +/-1.8 °F
768KF-02	-2 to 752°F	1°F	+/-0.2% RDG +/-1.8 °F
768KF-03	482 to 1562°F	1°F	+/-0.2% RDG +/-1.8 °F
768KF-04	1382 to 1999°F	1°F	+/-0.2% RDG +/-1.8 °F
768JC-01	-40 to 40°C	1°C	+/-0.2% RDG +/-1 °C
768JC-02	0 to 220°C	1°C	+/-0.2% RDG +/-1 °C
768JC-03	200 to 530°C	1°C	+/-0.2% RDG +/-1 °C
768JC-04	490 to 740°C	1°C	+/-0.2% RDG +/-1 °C
768JF-01	-40 to 104°F	1°F	+/-0.2% RDG +/-1.8 °F
768JF-02	32 to 428°F	1°F	+/-0.2% RDG +/-1.8 °F
768JF-03	392 to 986°F	1°F	+/-0.2% RDG +/-1.8 °F
768JF-04	896 to 1364°F	1°F	+/-0.2% RDG +/-1.8 °F

MOUNTING PROCEDURE

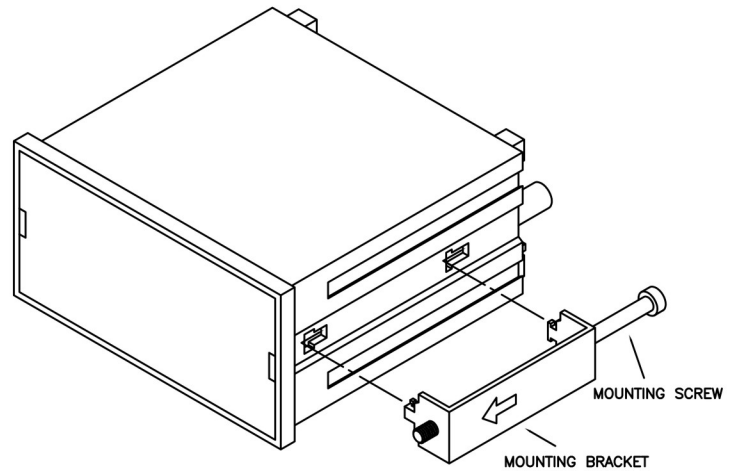
1. Make a cutout on any panel, with a thickness of 1/16 inch (1.5mm) to 3/8 inch (9.5mm). Refer to DRAWING 1.
2. Remove the mounting brackets assembly from the panel meter and insert the panel meter into the cutout. Refer to DRAWING 2.
3. Replace the mounting brackets assembly onto the panel meter and fasten the mounting screws to secure the panel meter to the mounting panel. Refer to DRAWING 3.

WIRING DIAGRAM

1. Connect the AC line to the rear of the instrument .The model 768 can be used with 115VAC or 230VAC 50/60 HZ. Refer to DRAWING 3.
2. Connect the two thermocouple leads to the rear of the instrument. Be sure to observe the polarity of the thermocouple leads. Refer to DRAWING 4.

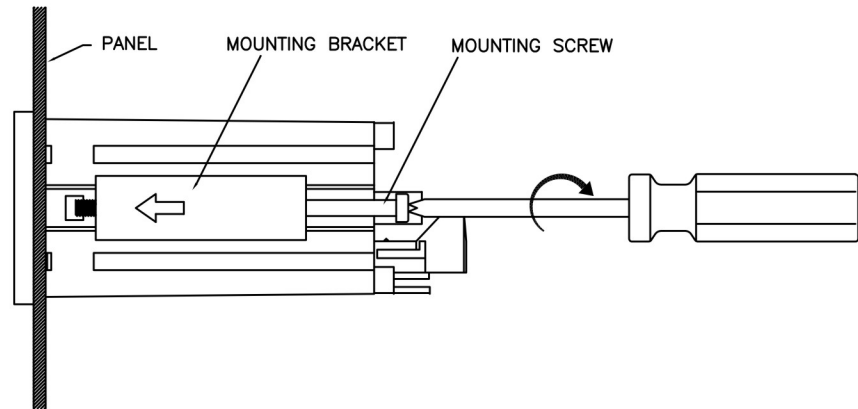


PANEL CUTOUT
DRAWING 1



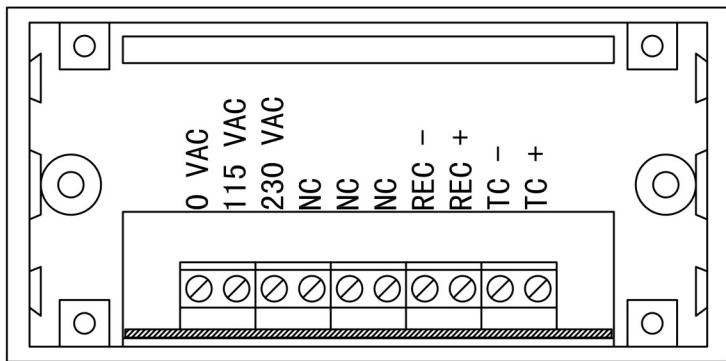
PANEL METER WITH MOUNTING BRACKET AND
SCREW
DRAWING 2

5



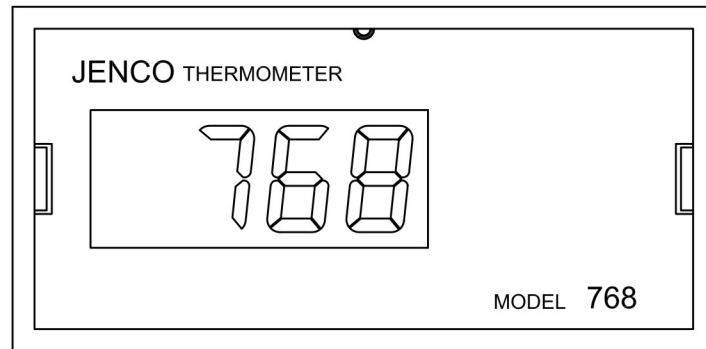
MOUNTING METHOD
DRAWING 3

6



MODEL 768

REAR PANEL WIRING DIAGRAM
DRAWING 4



FRONT PANEL DIAGRAM
DRAWING 5

ANALOG VOLTAGE OUTPUT

The analog voltage output can be used to interface with other instruments such as recorder, printer, remote indicator, 4 to 20 mA converter, etc.

The following rules must be observed in order to avoid reading inaccuracies or causing possible damages to the instrument.

1. If grounded or naked thermocouple is used ,the interface device's circuit common must not be connected to earth ground.
2. The input impedance of the interface device must be greater than 1K Ohms.
3. Make sure that the AC line voltage is never accidentally connected to the analog output.

WARRANTY

Jenco Instruments, Ltd. Warrants this product to be free from significant deviations in material and workmanship for a period of 1 year from date of purchase. If repair or adjustment is necessary and has not been the result of abuse or misuse, within the year period, please return-freight-prepaid and the correction of the defect will be made without charge. If you purchased the item from our Jenco distributors and it is under warranty, please contact them to notify us of the situation. Jenco Service Department alone will determine if the product problem is due to deviations or customer misuse.

Out-of-warranty products will be repaired on a charge basis.

RETURN OF ITEMS

Authorization must be obtained from one of our representatives before returning items for any reason. When applying for authorization, please have the model and serial number handy, including data regarding the reason for return. For your protection, items must be carefully packed to prevent damage in shipment and insured against possible damage or loss. Jenco will not be responsible for damage resulting from careless or insufficient packing. A fee will be charged on all unauthorized returns.